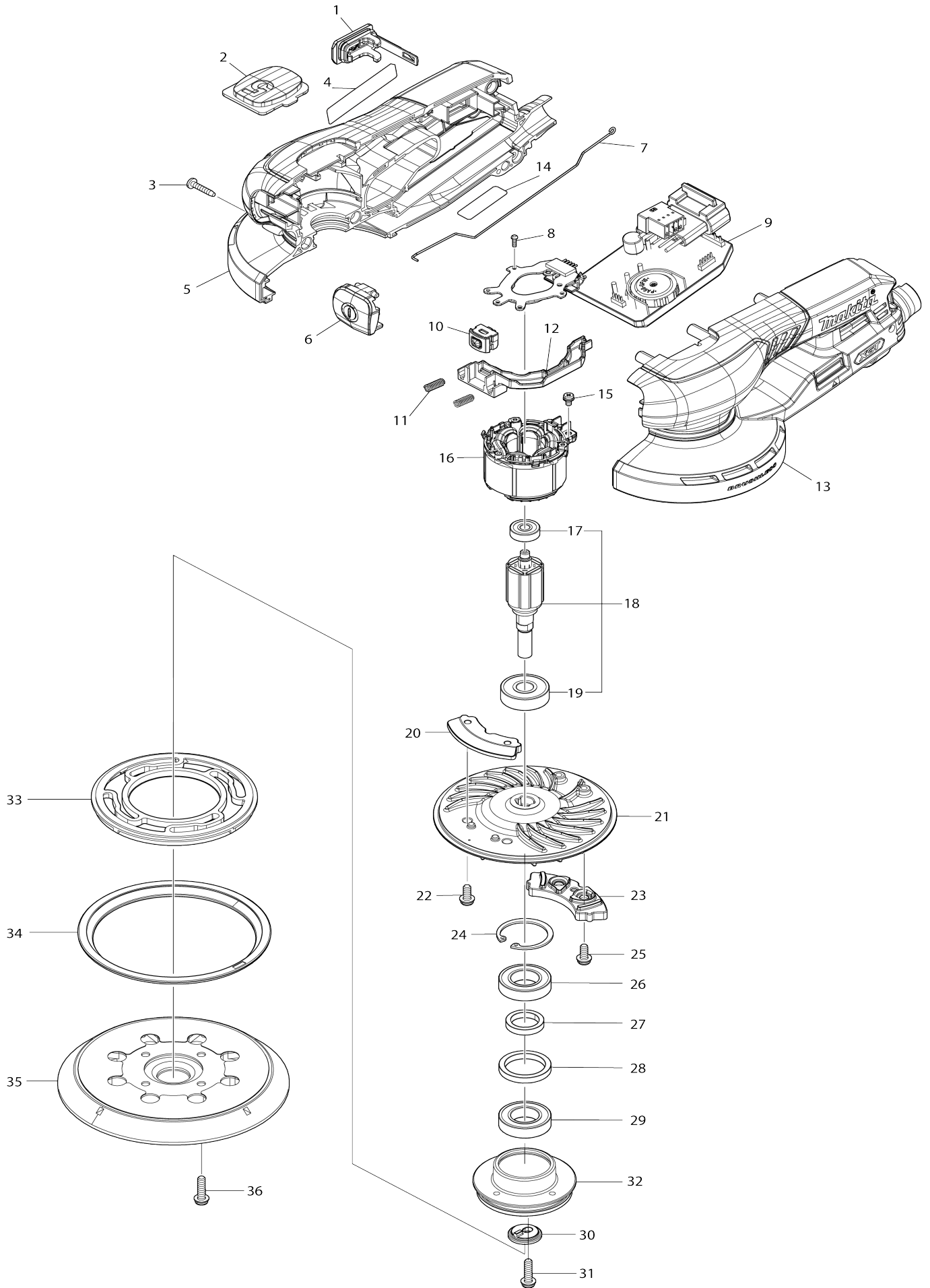


Model No. BO001CG BP RANDOM ORBIT SANDER



Model No.BO001CG BP RANDOM ORBIT SANDER

Item No.	Parts No.	Description
001	140F99-0	CAP COMPLETE
C10	213A05-9	O-RING16
002	413Y41-1	INDICATION PLATE
003	266429-2	TAPPING SCREW 3X16
004	8145P4-6	BO001CG NAME PLATE
005	1830M5-7	HOUSING SET
C10	252126-6	HEX. LOCK NUT M4-7
005		INC. 13
006	413Y40-3	SWITCH BUTTON
007	327D45-0	EARTH WIRE
008	266490-9	TAPPING SCREW PT 2X6
009	620P00-6	CONTROLLER
C10	638A87-4	CONNECTOR UNIT
010	632L84-8	SWITCH UNIT
011	233436-0	COMPRESSION SPRING 3
012	413Y39-8	SWITCH HOLDER
013	1830M5-7	HOUSING SET
C10	252126-6	HEX. LOCK NUT M4-7
013		INC. 5
014	8145P5-4	BO001CG SERIAL NO. LABEL
015	652069-6	FLAT HEAD SCREW M3X6
016	629C61-5	STATOR
017	210035-5	BALL BEARING 625DDW
018	519843-4	ROTOR ASS'Y
018		INC. 17,19
019	211092-6	BALL BEARING 629DDW
020	313534-7	UPPER BALANCE WEIGHT
021	240250-7	FAN 98
022	911111-5	PAN HEAD SCREW M4X10 WITH W
023	313535-5	LOWER BALANCE WEIGHT
024	962106-1	RETAINING RING R-28
025	911111-5	PAN HEAD SCREW M4X10 WITH W
026	211244-9	BALL BEARING 6902LLU
027	257868-7	RING 15
028	257A34-2	RING 22
029	211244-9	BALL BEARING 6902LLU
030	313518-5	RETAINER
031	911128-8	P.H.SCREW M4X16 WITH WR
032	312F10-4	BEARING BOX
033	424131-5	BRAKE RING
034	422B47-0	RUBBER GUARD
035	1914J2-2	PAD125 SET
036	911128-8	P.H.SCREW M4X16 WITH WR
A01	122G32-0	DUST BAG ASSY
A02	154553-2	ARM BAND COMPLETE
A02-1	194679-8	ARM BAND COMPLETE SET

A03	413Y47-9	FRONT CUFF 22
A04	D-78667	NET SANDING DISC 125MM A120
A05	D-78704	PAD SAVER DISC 125MM
A06	1914H3-6	BATTEY ADAPTER SET
A06		COMPO-PARTS
A08	327D66-2	TOOL HANGER
A09	251291-8	+ TRUSS HEAD SCREW M4X8
F01	1914H3-6	BATTEY ADAPTER SET
F02	1914H5-2	BATTEY ADAPTER SET
F03	1914H7-8	PROTECTION COVER SET
F04	1914H8-6	HARNESS SET
F05	1914J2-2	PAD125 SET